

Class I, Division 2, Groups A, B, C and D. Airpax sealed circuit breakers rated, T5 for 1 to 20 amp breakers; installed in a Polyamide housing suitable for DIN rail mounting.

Electrical characteristics of the housing AWG. Screw Clamp (20 to 12 AWG) (0 to 2.5mm STR) Wire stripping length 7mm. Screw Driver 3.5mm

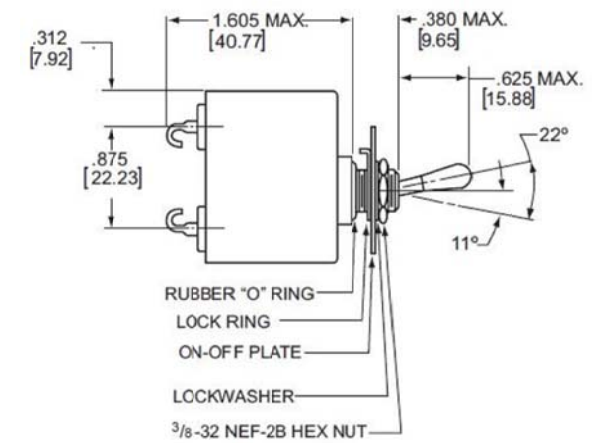
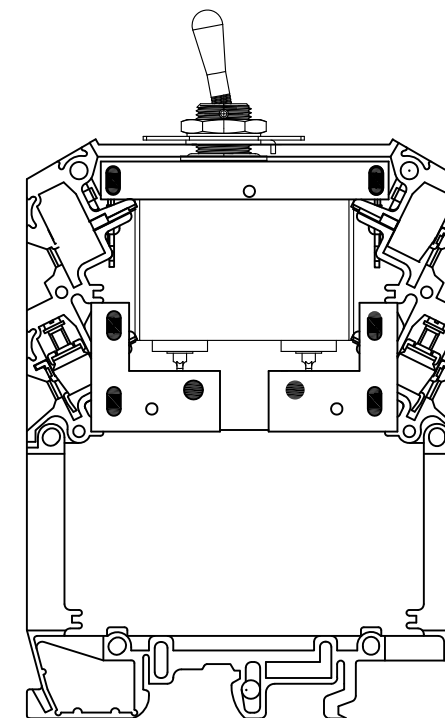
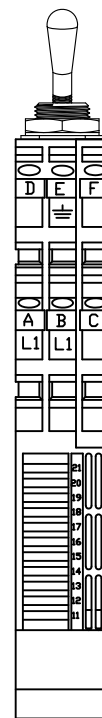
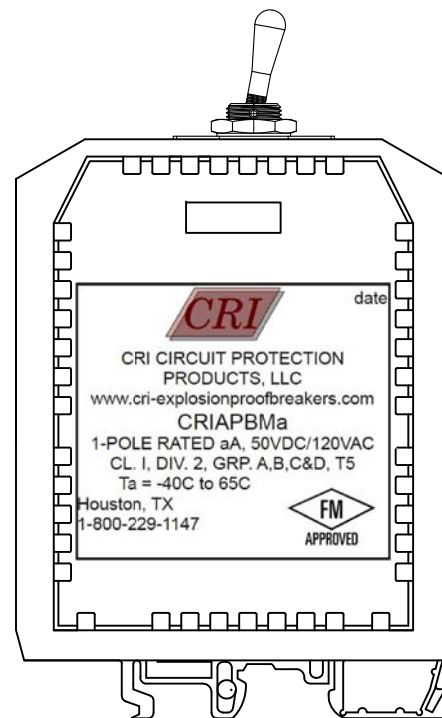
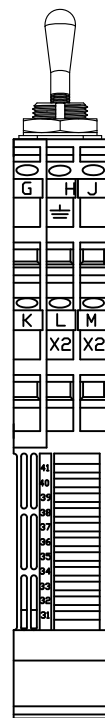
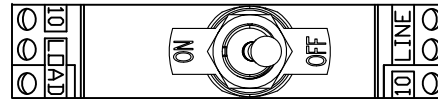
Mechanical characteristics of the housing body: Polyamide UL 94.V2. The working temperature of the complete assembly is -40 to +65 degree C.

The housing provides TWO common line and TWO common load terminations. The AC circuit breakers also come with a ground termination and the marking tags are provided

The housing is to be mounted on DIN Rail EN50022 35 x 7.5mm, 35 x 15mm (steel or aluminum) or 35 elevated aluminum rail

"NOTE: THIS EQUIPMENT IS SUITABLE FOR USE IN CLASS I, DIVISION 2, GROUPS A, B, C AND D OR NON-HAZARDOUS LOCATIONS ONLY."

WARNING - EXPLOSION HAZARD. DO NOT DISCONNECT EQUIPMENT WHEN A FLAMMABLE OR COMBUSTIBLE ATMOSPHERE IS PRESENT.



Remove the rubber "O" ring before re-assembling of the circuit breaker into the housing.

PART NUMBERS:

- CRIAPBM1
- CRIAPBM2
- CRIAPBM3
- CRIAPBM5
- CRIAPBM7.5
- CRIAPBM10
- CRIAPBM15
- CRIAPBM20

Trip Curve Information
Percentage of rated current vs. trip time in seconds at +25 degrees C (Vertical Mount)

Delay 71 Curve (1 to 15 amp)
100% = No Trip 125% = .200 to 7
200% = 0.55 to .950 400% = .010 to .240
800% = .005 to .080

Delay 51 Curve (20 amp)
100% No Trip 125% = .400 to 4
200% = .060 to .600 400% = .010 to .200
800% = .005 to .035

Dimensions of the product are as follows:
4.75 in. (H) x 3.00 in. (W) x 1.00 in. (D)

| REV | DESCRIPTION | DATE | CHG BY | APPVL |
|-----|---|----------|--------|-------|
| E | ADDED GRAPHIC OF CIRCUIT BREAKER AND ASSEMBLY NOTE. | 02/07/17 | TMW | CE |
| | REMOVED WARNING LABEL. | | | |
| D | WORKING WITH DESIGNER TO MAKE GRAPHIC CHANGE. | 01/31/17 | TMW | CE |
| C | UPDATED NOTES, REVISED LABEL. | 09/24/16 | TMW | CE |
| | ADDED NOTES, CHANGED WARNING LABEL. | | | |
| | REMOVED DASHES FROM P/N, UPDATED NOTES. | | | |
| | ADDED GND SYMBOL TO TERM H, ADDED LABEL. | | | |
| B | ADDED BUS BARS FOR INCREASE AMP RATING | 04/22/15 | TMW | CE |
| A | ORIGINAL RELEASE | 01/12/16 | TMW | CE |

| | |
|--|------------|
| CUSTOMER | |
| CLASS 1, DIVISION 2 CIRCUIT BREAKER | |
| DWG. NO. | SIZE |
| CRIAPBM | E |
| SCALE | SH. 1 OF 1 |

CRI-Circuit Protection Products, LLC

1520 Kuebel Street - Suite 1
Harahan, Louisiana 70123
Telephone: (504) 734-1147 (800) 229-1147
www.cri-explosionproofbreakers.com